



ROCKFORD SEPARATORS

5159 28th Ave ROCKFORD, IL 61109
(815) 229-5077 - FAX (815) 229-5108
www.rkfdseparators.com - rssem@rkfdseparators.com

MODEL NO. RP-50

GREASE INTERCEPTOR

DRAWN BY R.P.P.

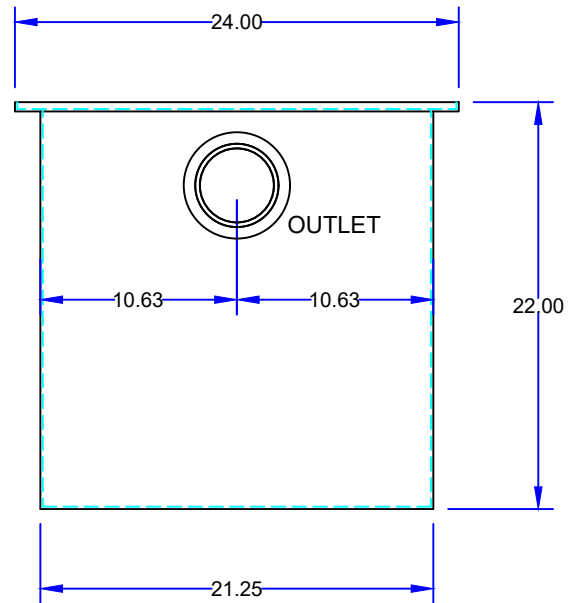
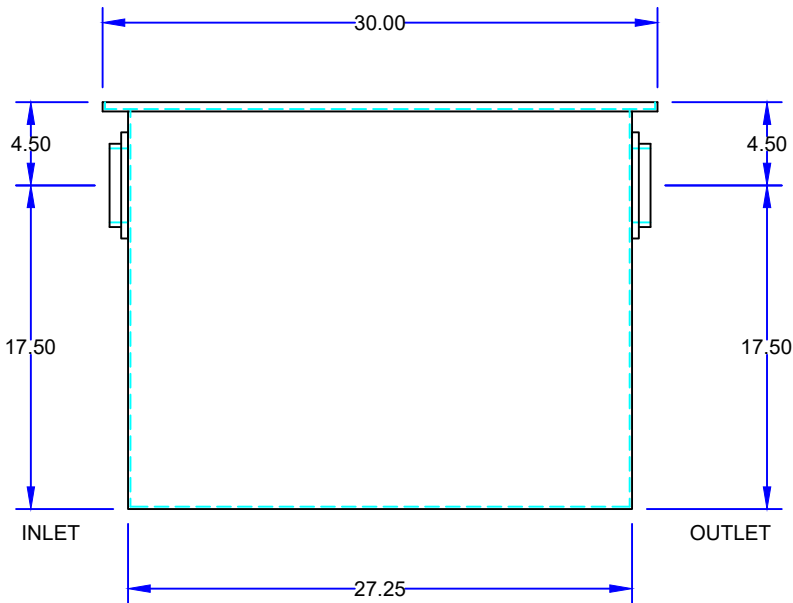
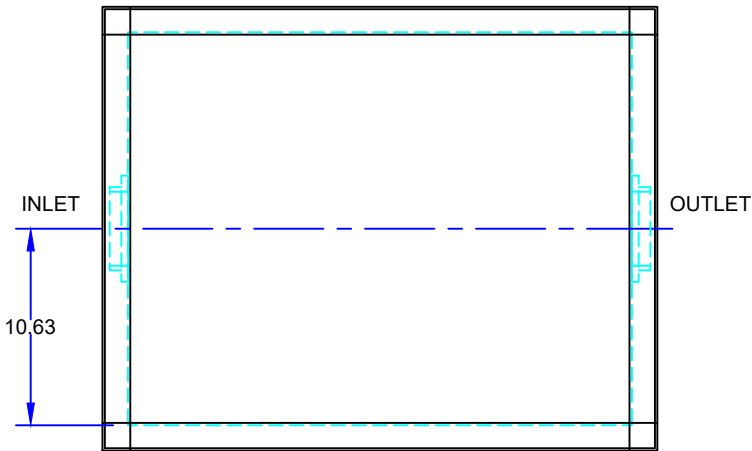
QUOTE#:

DATE: 07/17/24

JOB NAME:

OPTIONAL FEATURES (ADDITIONAL COST)

- ANCHOR FLANGE
- EPOXY COATING
- HEAVY TRAFFIC H2O RATED CONSTRUCTION
- STAINLESS STEEL CONSTRUCTION
- INTEGRAL EXTENSION _____ INCHES
- INLET & OUTLET SIZE _____ INCHES
- ALUMINUM COVER
- THREADED CONNECTIONS
- RECESSED LIFT HANDLES IN COVER



SPECIFICATIONS

Rockford Model RP-50 all welded steel interceptor, with 35 gallon static holding capacity, 50 g.p.m. intermittent flow, 100 lbs. grease capacity, 4.00" threaded inlet and outlet connections and flow control device, removable 3/16" nonskid diamond tread plate cover for on the floor or flush with floor installation suitable for pedestrian traffic, secured with stainless steel flat head screws, heavy duty leak-proof gasket. Unit comes standard with internal trap seal and air bypass. With added options: epoxy coating inside and outside, recessed lift handles in cover, and threaded connections.

Optional features (Additional cost) listed above

Approved By

Company

Date